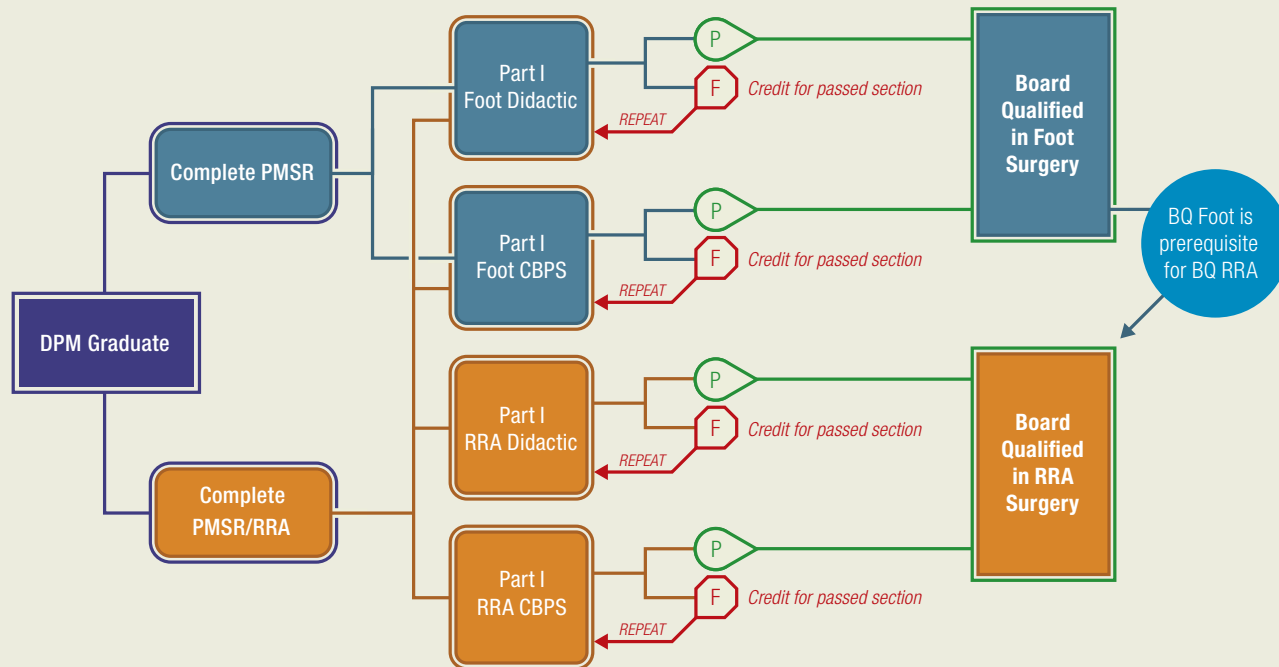


PART I CERTIFICATION EXAMINATIONS

Attaining ABFAS Board Qualified Status

Effective until August, 2020



NOTES

CANDIDATES WHO COMPLETED LESS THAN THREE-YEAR RESIDENCY PROGRAMS BEFORE JUNE 30, 2014: (PM&S-24, PSR-24, PSR-12/PPMR, PSR-12/RPR, PSR-12/POR)

Board Qualified candidates who completed a CPME-approved residency of less than three years must have attained Board Qualified status by December 31, 2018, and have until December 31, 2020, to complete the ABFAS board certification process. Beginning January 1, 2021, such candidates are ineligible for ABFAS certification. See Board Qualification and Board Certification Documents on the ABFAS website under "Resources."

PM&S-36/PMSR/PMSR-RRA: Candidates who completed these residency programs before **June 30, 2014**, may qualify for seven years and may requalify once for an additional seven years; qualification is limited to a total of 14 years. May pursue certification until expiration of board qualified status.

CANDIDATES WHO COMPLETED RESIDENCY ON OR AFTER JUNE 30, 2014: Candidates have seven years from becoming Board Qualified to achieve board certification. Qualification is limited to a total of seven years.