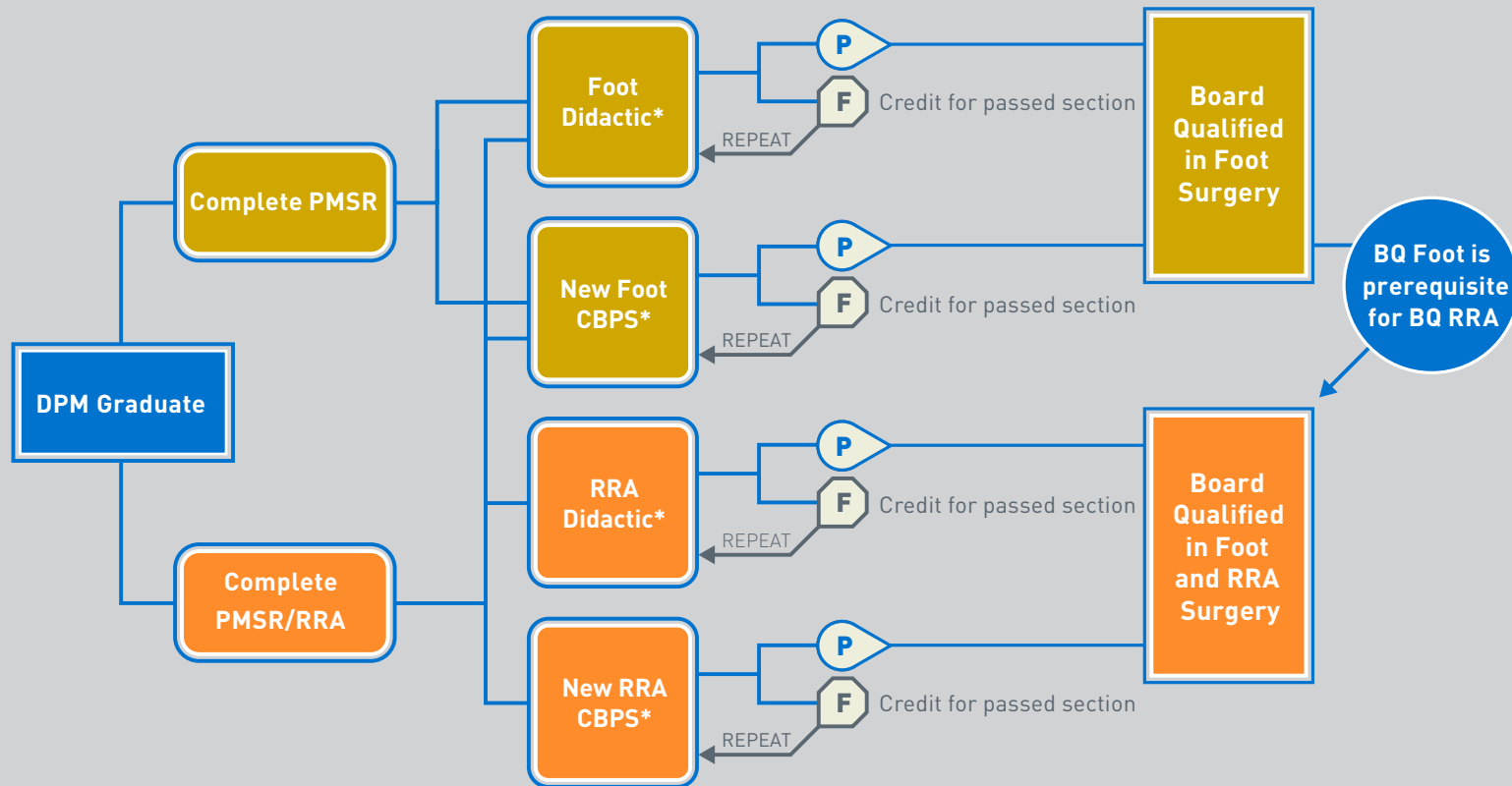




PART I CERTIFICATION EXAMINATIONS

Attaining ABFAS Board Qualified Status
Effective September, 2020



NOTES

All candidates applying for Board Qualified status must submit residency logs through Podiatry Residency Resource (PRR).

*PGY3 (in a 3-year program) and PGY4 (in a 4-year program) can take the Part I Exams as part of their In-training Examinations. If passed, candidates become Board Qualified after paying the Board Qualification fee. If a candidate fails, they can retake the exam as Part I.

CANDIDATES WHO COMPLETED THREE-YEAR RESIDENCIES PRIOR TO 2015:

PM&S-36/PMSR/PMSR-RRA: May qualify for seven years, and may requalify once for an additional seven years; qualification limited to a total of 14 years. May pursue certification until expiration of board qualified status.

CANDIDATES WHO COMPLETED RESIDENCY AFTER 2014:

Candidates completing residency after 2014 have seven years from becoming Board Qualified to achieve board certification. Qualification limited to a total of seven years.

Didactic = Multiple-Choice Questions
CBPS = Computer-Based Patient Simulation