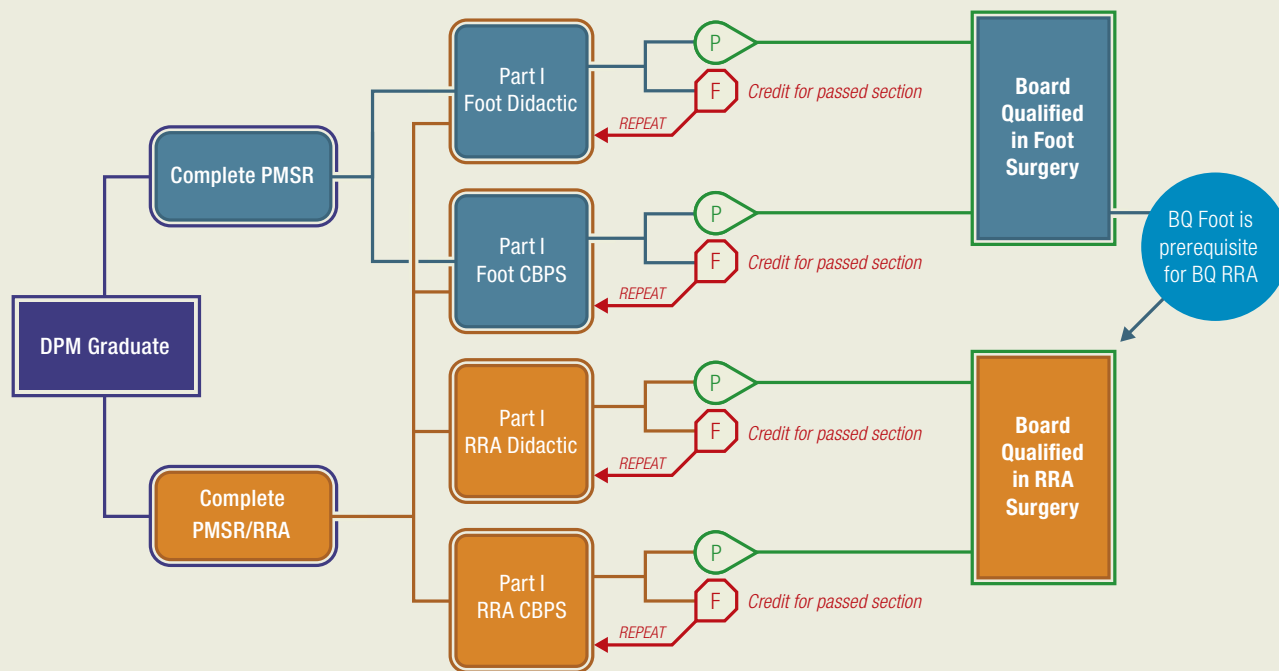


# PART I CERTIFICATION EXAMINATIONS

Attaining ABFAS Board Qualified Status



## NOTES

All candidates applying for Board Qualified status must submit residency logs through Podiatry Residency Resource (PRR).

### CANDIDATES WHO COMPLETED LESS THAN THREE-YEAR RESIDENCY PROGRAMS:

Board Qualified candidates who completed a CPME-approved residency of less than three years must be Board Qualified by December 31, 2018, and have until December 31, 2020 to complete the ABFAS board certification process. Beginning January 1, 2021, such candidates are ineligible for ABFAS certification. See Board Qualification and Board Certification Documents on the ABFAS website under “Resources.”

**If your initial board qualification has expired, or will expire on August 31, 2018, you may apply for requalification for a second and final time; however, any requalification may not extend beyond December 31, 2020.**

### CANDIDATES WHO COMPLETED THESE RESIDENCIES PRIOR TO JUNE 30, 2014:

#### Currently Board Qualified:

#### **PSR-12 plus any other residency:**

May requalify **once**; requalification shall not extend beyond 2020. May pursue board certification until December 31, 2020.

**PM&S-24/PSR-24:** May requalify **once**; requalification shall not extend beyond 2020. May pursue board certification until December 31, 2020.

**PM&S-36/PMSR/PMSR-RRA:** May requalify **once** for an additional seven years; qualification limited to a total of 14 years. May pursue certification until expiration of board qualified status.

#### Not Board Qualified:

**PSR-12 plus any other residency:** Must be board qualified by December 31, 2018; qualification shall not extend beyond 2020. May pursue board certification until December 31, 2020.

**PM&S-24/PSR-24:** Must be board qualified by December 31, 2018; qualification shall not extend beyond 2020. May pursue board certification until December 31, 2020.

**PM&S-36/PMSR/PMSR-RRA:** May qualify for seven years, and may requalify **once** for an additional seven years; qualification limited to a total of 14 years. May pursue certification until expiration of board qualified status.

### CANDIDATES WHO COMPLETED RESIDENCY AFTER JUNE 30, 2014:

Candidates completing residency in 2014 and later have seven years **from becoming Board Qualified** to achieve board certification.

*Didactic = multiple-choice questions  
CBPS = Computer-based Patient Simulation*